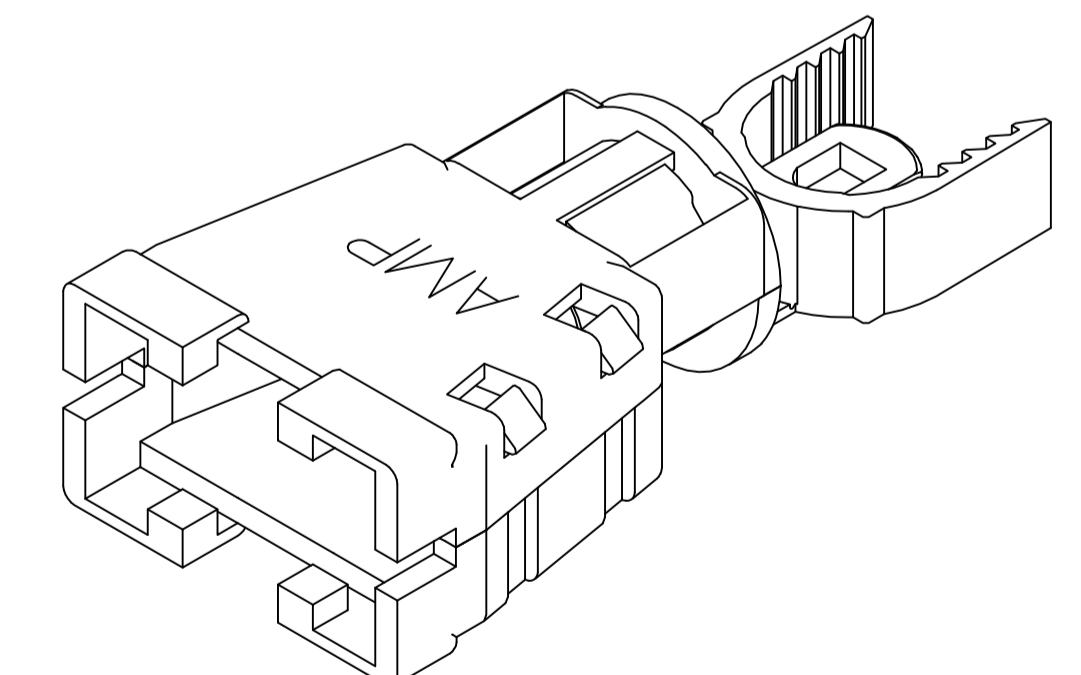
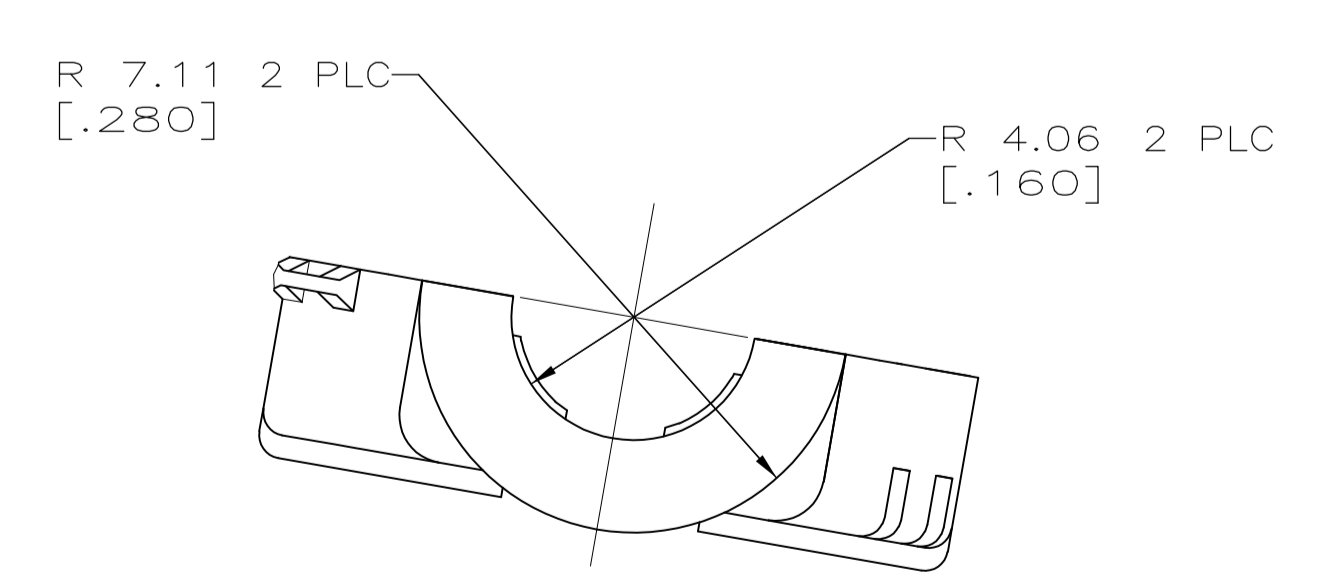
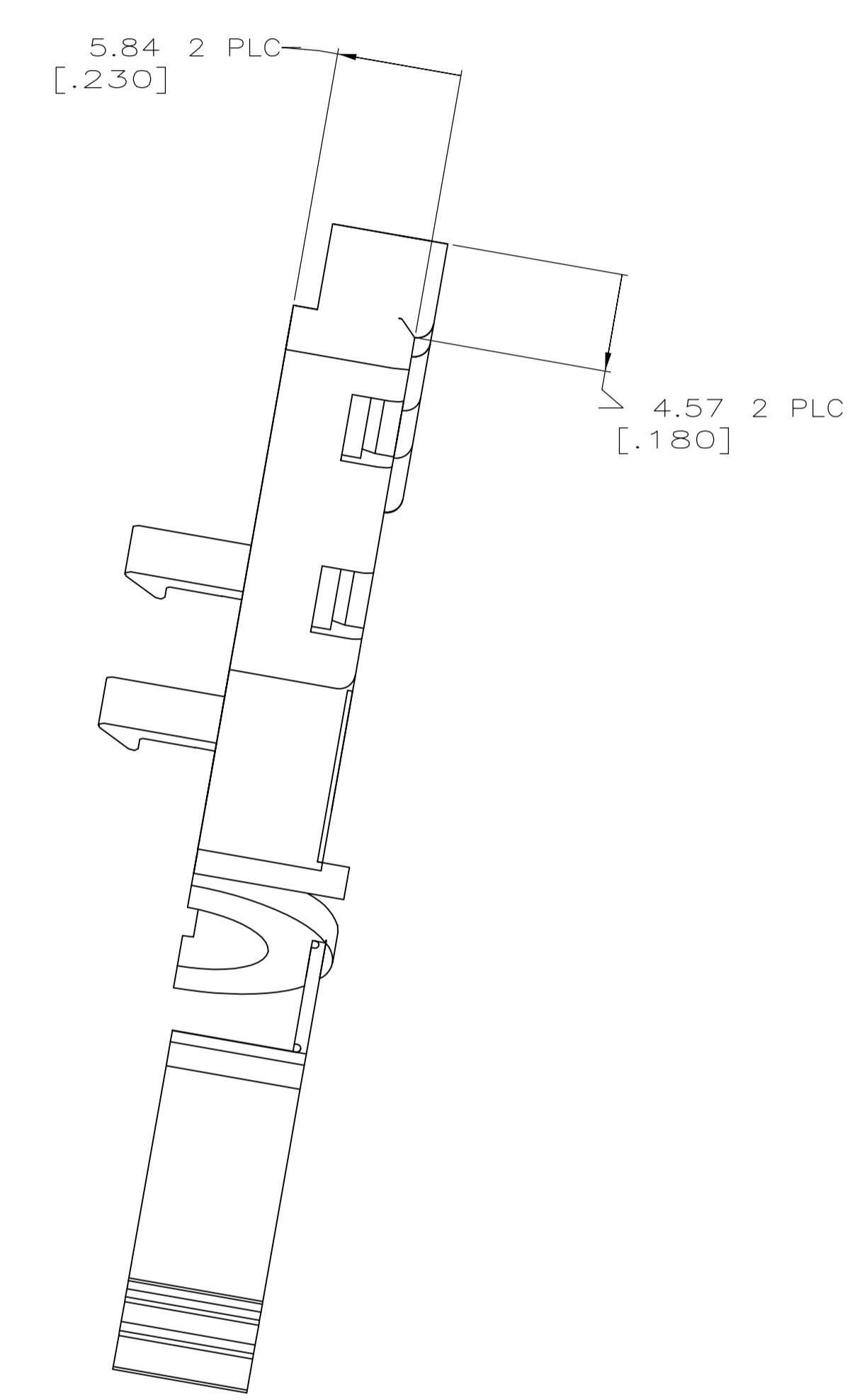
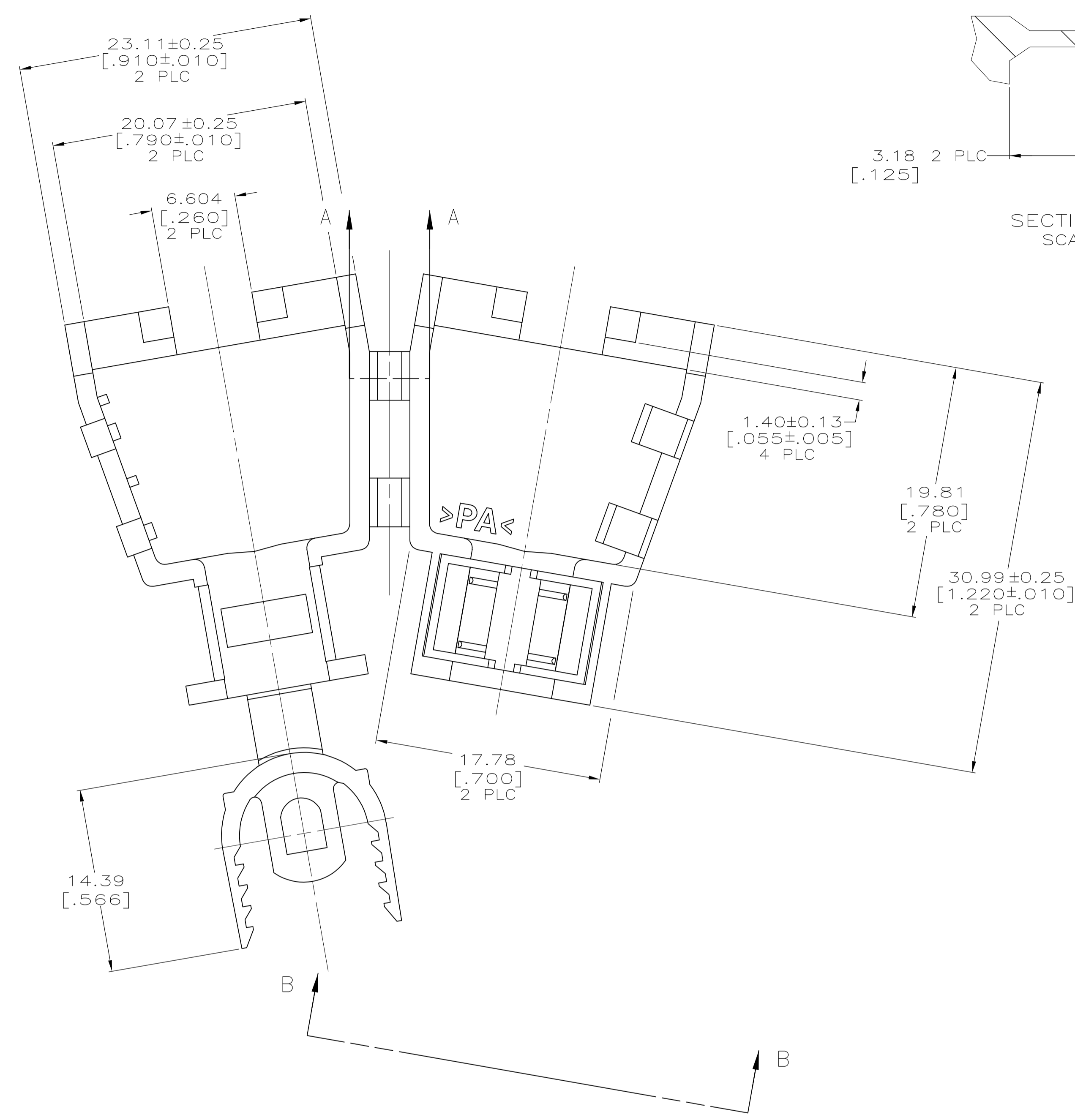


LOC		DIST		REVISIONS			
P	LTR	DESCRIPTION	DATE	DMN	APVD		
B		REV PER ECR 11-017103	19AUG11	JR	TM		



794370-1
PART NUMBER

THIS DRAWING IS A CONTROLLED DOCUMENT.		DIN R VESTAL 10-03-97	STE TE Connectivity	
DIMENSIONS: mm [INCHES]		CHK R SWING 10-03-97	NAME	
TOLERANCES UNLESS OTHERWISE SPECIFIED:		APVD R ORSTAD 10-03-97	STRAIN RELIEF, HINGED, PLUG AND CAP, 8 POSITION, MINI UNIVERSAL MATE-N-LOK	
0 PLC ± -	1 PLC ± -	PRODUCT SPEC	SIZE	CAGE CODE
2 PLC ± 0.13[.005]	3 PLC ± -	APPLICATION SPEC	A1	00779
4 PLC ± -	ANGLES ± 0° 30'	WEIGHT	794370	RESTRICTED TO
MATERIAL NYLON, UL94V-0	FINISH COLOR-NATURAL	CUSTOMER DRAWING	SCALE 4:1	SHEET 1 OF 1

